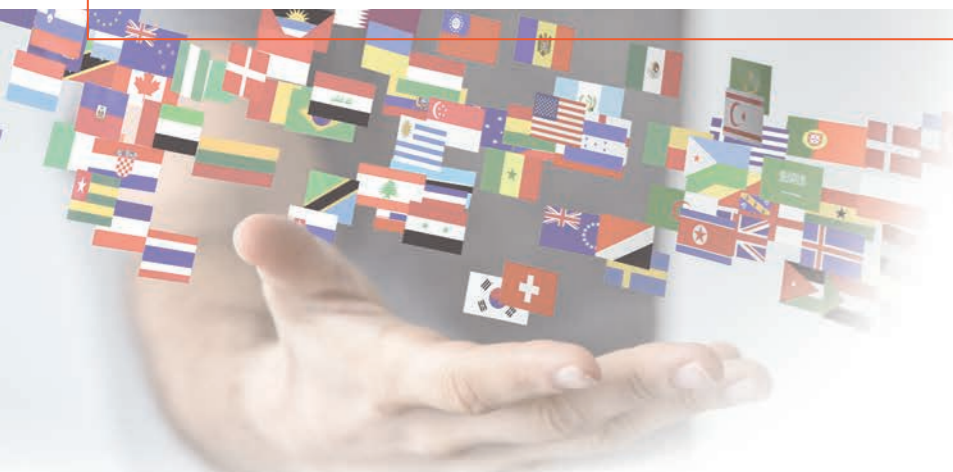


RINGSPANN® in Mining

Power Transmission Components





Headquarters

Bad Homburg, Germany

Founded

1944

Subsidiaries

18

Manufacturing plants

8

Employees

500

Customers

> 6,000 a year

Product range

Power Transmission
Clamping Fixtures
Remote Control Systems

Company profile

Innovative achievements have made RINGSPANN a leading manufacturer for Power Transmission Components, Clamping Fixtures and Remote Control Systems. Many well-known companies from the machine building, the material handling, the energy as well as the aerospace industries successfully work with RINGSPANN. With more than 75 years' experience in development, design and manufacturing, we are experts in intelligent technical solutions.

From our headquarters in Bad Homburg, Germany, 500 employees in 18 international companies provide personal service onsite and ensure speedy and reliable delivery. Manufacturing plants in the most important regions of the world make flexible and customer-orientated production possible.

Customer service is close to our heart; we want you to continue to choose RINGSPANN.





6 Control Systems for controlled braking of conveyor belts



7 Hydraulic Power Units to supply hydraulic power to brakes

1 Shrink Discs

to connect hollow gearbox shafts with pulley shafts



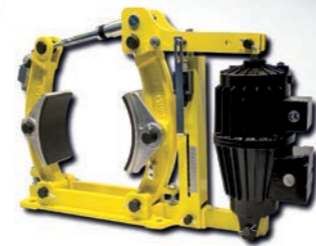
2 High Speed Backstops

to prevent reverse motion of conveyor belts



3 Hydraulic Brakes

for braking and holding of conveyor belts



4 Drum Brakes

for braking and holding of conveyor belts

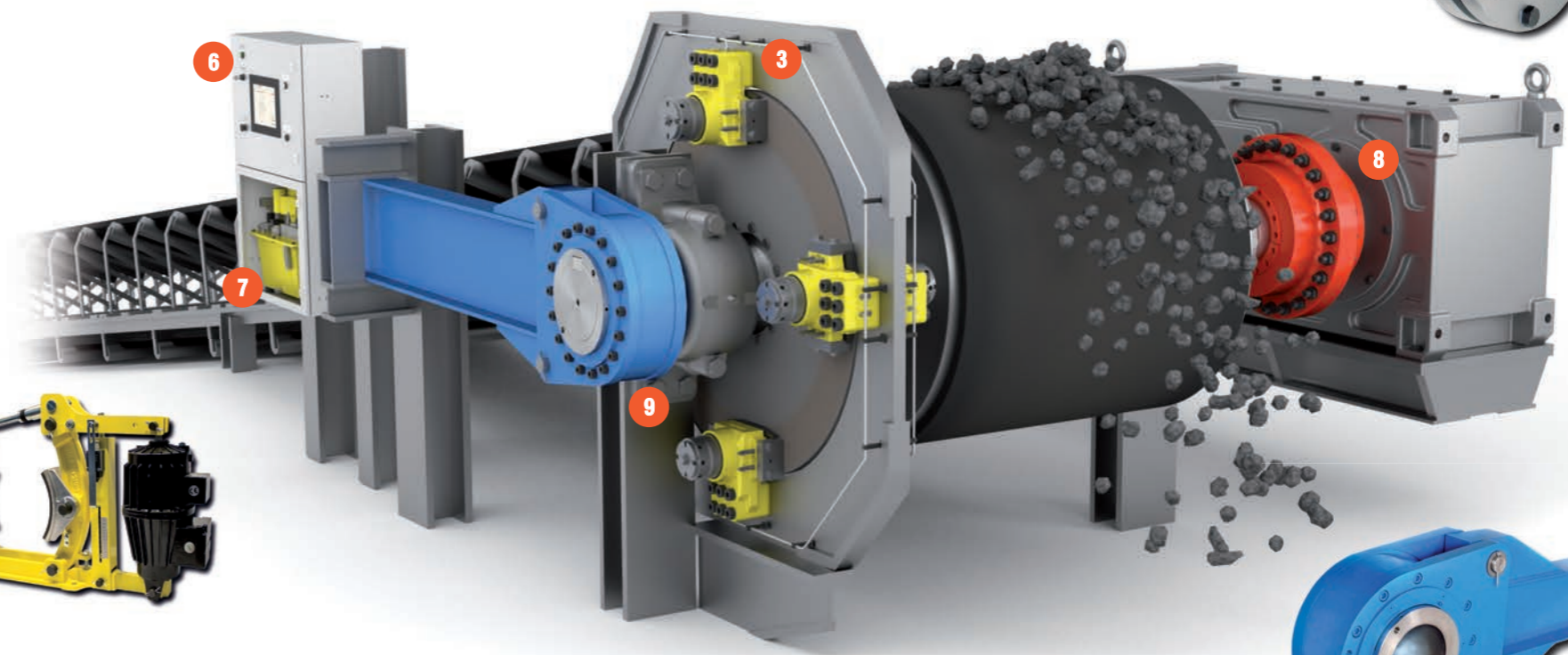


5 Cone Clamping Elements

to connect pulley shafts with pulley drums

8 Tru-Line Flange-Couplings

to connect solid gearbox shafts with pulley shafts



9 Low Speed Backstops

to prevent reverse motion of conveyor belts





1 Shrink Discs

to connect hollow gearbox shafts with solid bucket elevator shafts



2 High Speed Backstops

to prevent reverse motion of bucket elevators



3 Freewheels as Overrunning Clutches

to automatically engage and disengage main drives and auxiliary drives

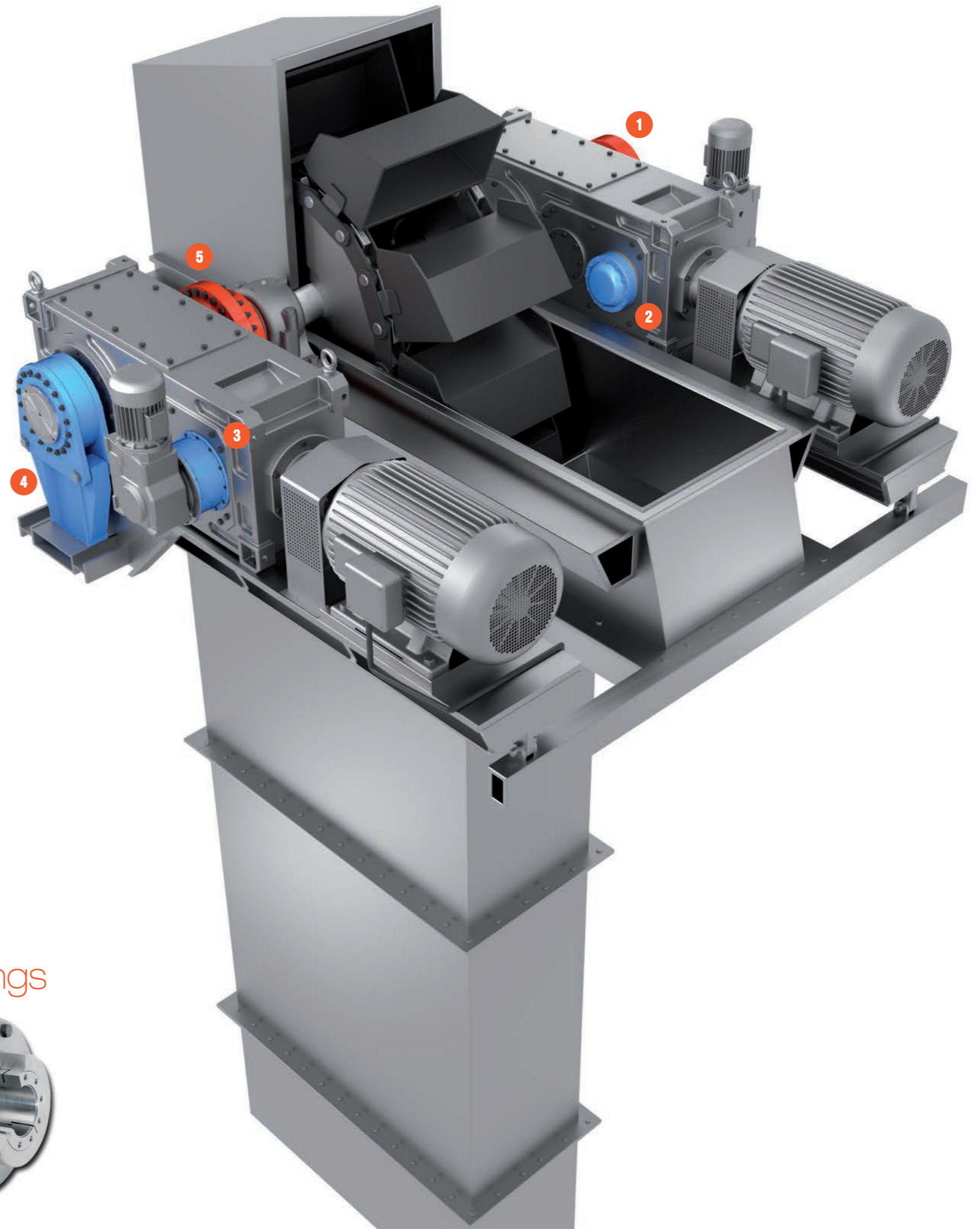
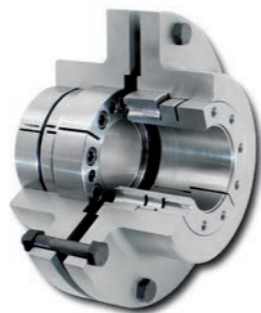
4 Low Speed Backstops

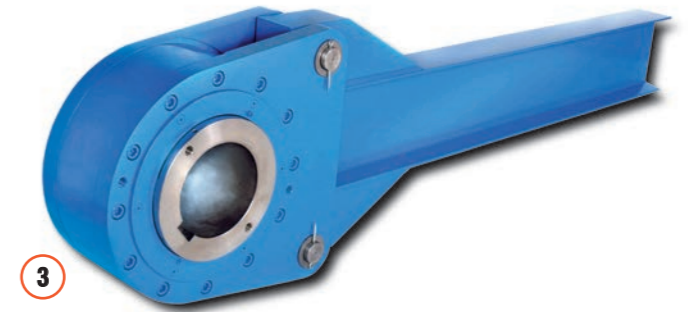
to prevent reverse motion of bucket elevators



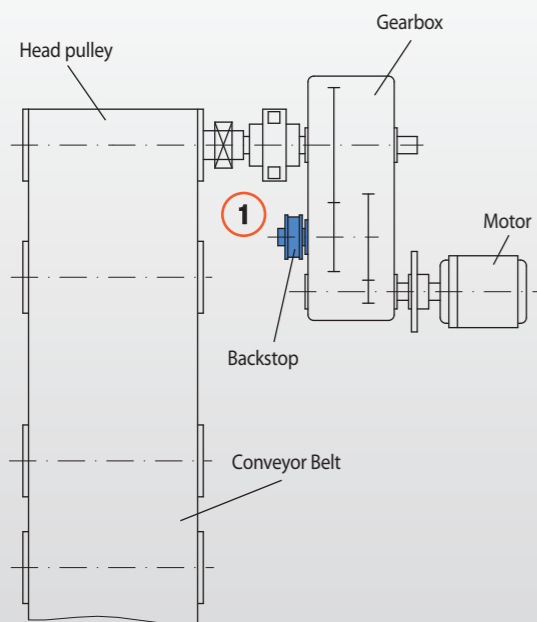
5 Tru-Line Flange-Couplings

to connect solid gearbox shafts with bucket elevator shafts



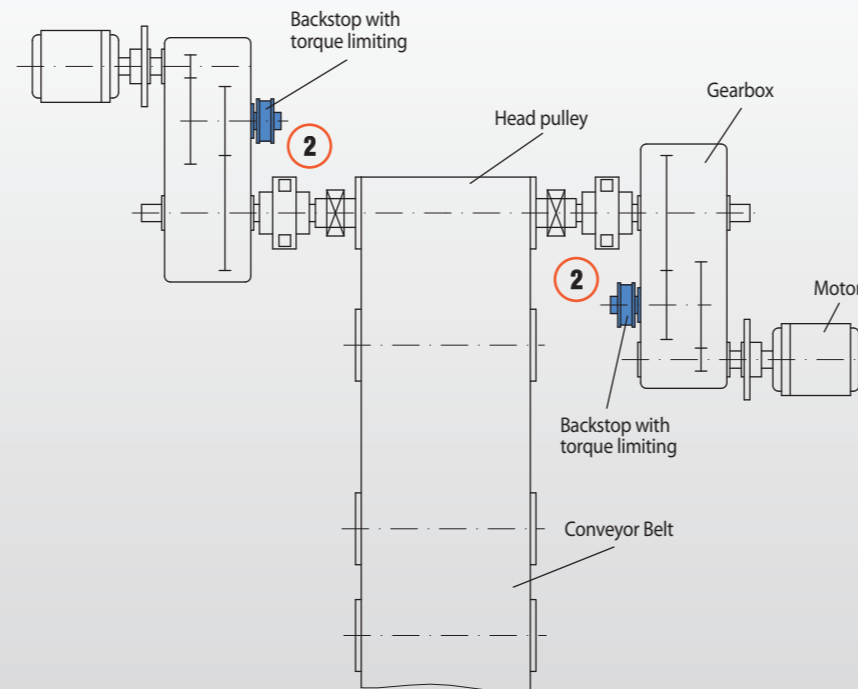


High Speed Backstops



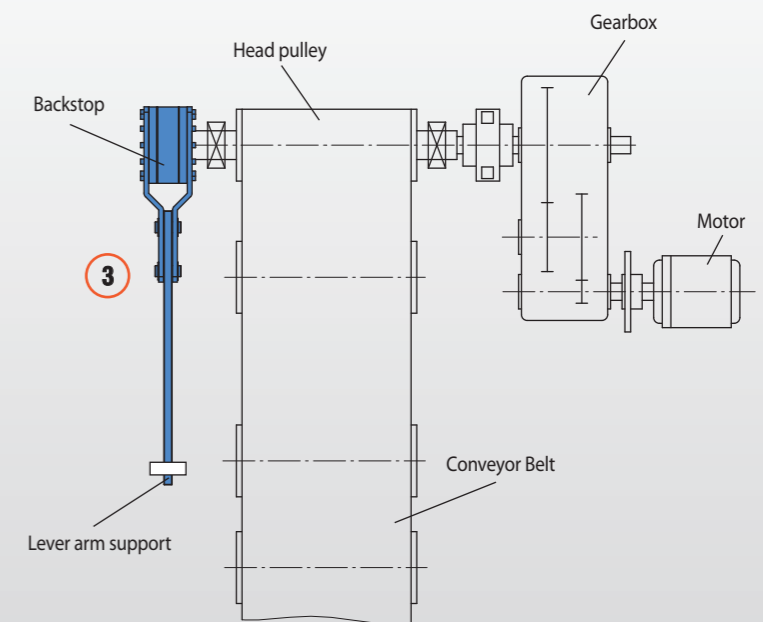
- High Speed Backstops are located on the 2nd or 1st gearbox reduction shaft and **prevent reverse motion** of conveyor belts or bucket elevators.
- They are equipped with sprag lift-off X which ensures a wear free freewheeling operation when the backstop is rotating at high speeds with the gearbox shaft. In this state of operation, the backstop works wear-free, i.e. with **unlimited service life**.
- **Maintenance free**
- **Cost effective**

High Speed Backstops with Torque Limiting



- High Speed Backstops with Torque Limiting are used in belt conveyors with **multiple drives** and **prevent reverse motion of conveyor belts**.
- They **solve the problem of uneven load distribution** in multiple drives.
- They are equipped with sprag lift-off X which ensures a wear free freewheeling operation when the backstop is rotating at high speeds with the gearbox shaft. In this state of operation, the backstop works wear-free, i.e. with **unlimited service life**.
- **Maintenance free**
- The integrated torque limiters **protect the gearboxes and backstops from overload** by dynamic peak torques.
- **Smaller gearboxes can be used** without negatively effecting the safety.
- Available with or without **controllable release function**.
- **Cost effective**

Low Speed Backstops

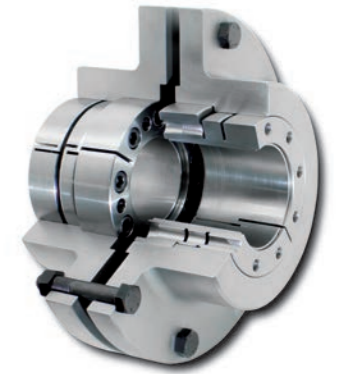


- Low Speed Backstops are located on pulley or head shafts of gearboxes and **prevent reverse motion** of conveyor belts or bucket elevators.
- **Taconite seals** protect the backstop from contamination with dust or dirt.
- Low Speed Backstops **allow the removal of the drive unit** when the conveyor belt is loaded.



Tru-Line Flange-Couplings

to connect solid gearbox shafts with solid pulley shafts on conveyor drives



Pin and Bush Couplings

for elastic connection of solid gearbox shafts with solid pulley shafts on conveyor drives

Shrink Discs

- to connect drive units with hollow shafts to bucket wheels
- to connect hollow gearbox shafts with solid pulley shafts on conveyor drives



Cone Clamping Elements

- to connect pulley drums with pulley shafts
- to connect machine elements with shafts



Friction Torque Limiters

- to protect drive units from overload
- heavy-duty series also available



Positive Torque Limiters

to protect drive units from overload



Brakes

- in conveyor drives
- in boom hoist drives
- in slewing drives
- in bucket wheel drives
- in bogey drives



Source: Josef Wiegand GmbH & Co. KG



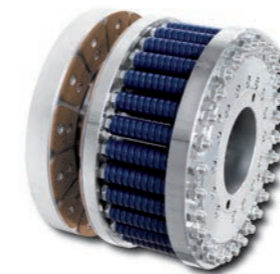
Brakes

for braking and holding of mine hoists and winches



Control Systems

for controlled braking of mine hoists and winches



Friction Torque Limiters

- to protect drive units from overload
- heavy-duty series also available

Positive Torque Limiters

to protect drive units from overload



Cone Clamping Elements

to connect machine elements with shafts



Gear Couplings

for torsionally rigid connection of machine shafts



Germany

RINGSPANN GmbH

Schaberweg 30-38, 61348 Bad Homburg
Germany • +49 6172 275 0
info@ringspann.de • www.ringspann.de

RINGSPANN RCS GmbH

Hans-Mess-Straße 7, 61440 Oberursel, Germany
+49 6172 67 68 50
info@ringspann-rcs.de • www.ringspann-rcs.de

France

SIAM - RINGSPANN S.A.

23 rue Saint-Simon, 69009 Lyon, France
+33 4 78 83 59 01
info@siam-ringspann.fr • www.ringspann.fr

Great Britain, Ireland

RINGSPANN (U.K.) LTD.

3, Napier Road, Bedford MK41 0QS, Great Britain
+44 1234 342511
info@ringspann.co.uk • www.ringspann.co.uk

Italy

RINGSPANN Italia S.r.l.

Via A.D. Sacharov, 13, 20812 Limbiate (MB), Italy
+39 02 93 57 12 97
info@ringspann.it • www.ringspann.it

Netherlands, Belgium, Luxembourg

RINGSPANN Benelux B.V.

Nieuwenkampsmaten 6-15, 7472 DE Goor,
Netherlands • +31 547 26 13 55
info@ringspann.nl • www.ringspann.nl

Austria, Hungary, Slovenia

RINGSPANN Austria GmbH

Triesterstraße 21, 2620 Neunkirchen, Austria
+43 2635 62446
info@ringspann.at • www.ringspann.at

Poland

Radius-Radpol Wiecheć Sp.J.

Ul. Pasjonatów 3, 62-070 Dąbrowa, Poland
+48 61 814 39 28 • info@radius-radpol.com.pl
www.radius-radpol.com.pl

Romania, Bulgaria, Moldova

S.C. Industrial Seals and Rolls S.R.L.

Str. Depozitelor, No. 29, 110078 Pitesti, Romania
+4 0751 228228
mihai@isar.com.ro • www.isar.com.ro

Sweden, Finland, Denmark,

Norway, Baltic states

RINGSPANN Nordic AB

Flottiljgatan 69, 721 31 Västerås, Sweden
+46 156 190 98
info@ringspann.se • www.ringspann.se

Switzerland

RINGSPANN AG

Sumpfstrasse 7, P.O. Box, 6303 Zug,
Switzerland • +41 41 748 0900
info@ringspann.ch • www.ringspann.ch

Spain, Portugal

RINGSPANN IBERICA S.A.

C/Uzbina, 24-Nave E1, 01015 Vitoria, Spain
+34 945 2277-50
info@ringspann.es • www.ringspann.es

Czech Republic, Slovakia

Ing. Petr Schejbal

Mezivřší 1444/27, 14700 Prag, Czech Republic
+420 222 96 90 22
Petr.Schejbal@ringspann.cz • www.ringspann.com

Ukraine

"START-UP" LLC.

Saltivske Hwy, 43, letter G-3, office 101,
Kharkiv 61038, Ukraine • +38 057 717 03 04
start-up@start-up.kh.ua • www.start-up.kh.ua

Asia

Australia, New Zealand

RINGSPANN Australia Pty Ltd

10 Network Drive, Carrum Downs Vic 3201,
Australia • +61 3 9069 0566
info@ringspann.com.au • www.ringspann.com.au

China, Taiwan

RINGSPANN Power Transmission (Tianjin) Co., Ltd.

No. 21 Gaoyan Rd., Binhai Science and Technology
Park, Binhai Hi-Tech Industrial, Development Area,
Tianjin, 300458, P.R. China • +86 22 5980 31 60
info.cn@ringspann.cn • www.ringspann.cn

India, Bangladesh, Nepal

RINGSPANN Power Transmission India Pvt. Ltd.

GAT No: 679/2/1, Village Kuruli, Taluka Khed, Chakan-
Alandi Road, Pune - 410501, Maharashtra, India
+91 21 35 67 75 00 • info@ringspann-india.com
www.ringspann-india.com

Singapore, ASEAN

RINGSPANN Singapore Pte. Ltd.

143 Cecil Street, #17-03 GB Building,
Singapore 069542 • +6012 589 8975
info@ringspann.sg • www.ringspann.sg

South Korea

RINGSPANN Korea Ltd.

33 Gojae-17 Ghil Dongnam-gu, 31187 Cheonan-si
Chungnam, South Korea • +82 10 54 961 368
info@ringspann.kr • www.ringspann.kr

America

Brazil

Antares Acoplamentos Ltda.

Rua Evaristo de Antoni, 1222, Caxias do Sul, RS,
CEP 95041-000, Brazil • +55 54 32 18 68 00
vendas@antaresacoplamentos.com.br
www.antaresacoplamentos.com.br

Chile, Peru, Colombia, Ecuador

RINGSPANN Sudamérica SpA

Miraflores 222, Piso 28-N, Santiago,
Región Metropolitana, Chile • +56 9 9147 2833
info@ringspannsudamerica.com
www.ringspannsudamerica.com

USA, Canada, Mexico

RINGSPANN Corporation

10550 Anderson Place, Franklin Park, IL 60131, USA
+1 847 678 35 81
info@ringspanncorp.com
www.ringspanncorp.com

Africa and Middle East

Egypt

Shofree Trading Co.

218 Emtedad Ramsis 2, 2775 Nasr City, Cairo, Egypt
+20 2 20 81 20 57
info@shofree.com • www.ringspann.com

Maghreb, West Africa

SIAM - RINGSPANN S.A.

23 rue Saint-Simon, 69009 Lyon, France
+33 4 78 83 59 01
info@siam-ringspann.fr • www.ringspann.fr

Israel

G.G. Yarom Rolling and Conveying Ltd.

6, Hamaktesh Str., 58810 Holon, Israel
+972 3 557 01 15
noam_a@gg.co.il • www.ringspann.com

South Africa, Sub-Saharan

RINGSPANN South Africa (Pty) Ltd.

96 Plane Road Spartan, Kempton Park,
P.O. Box 8111 Edenglen 1613, South Africa
+27 11 394 1830
info@ringspann.co.za • www.ringspann.co.za